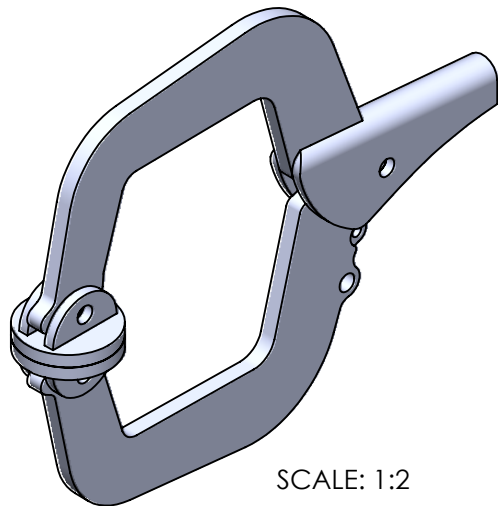
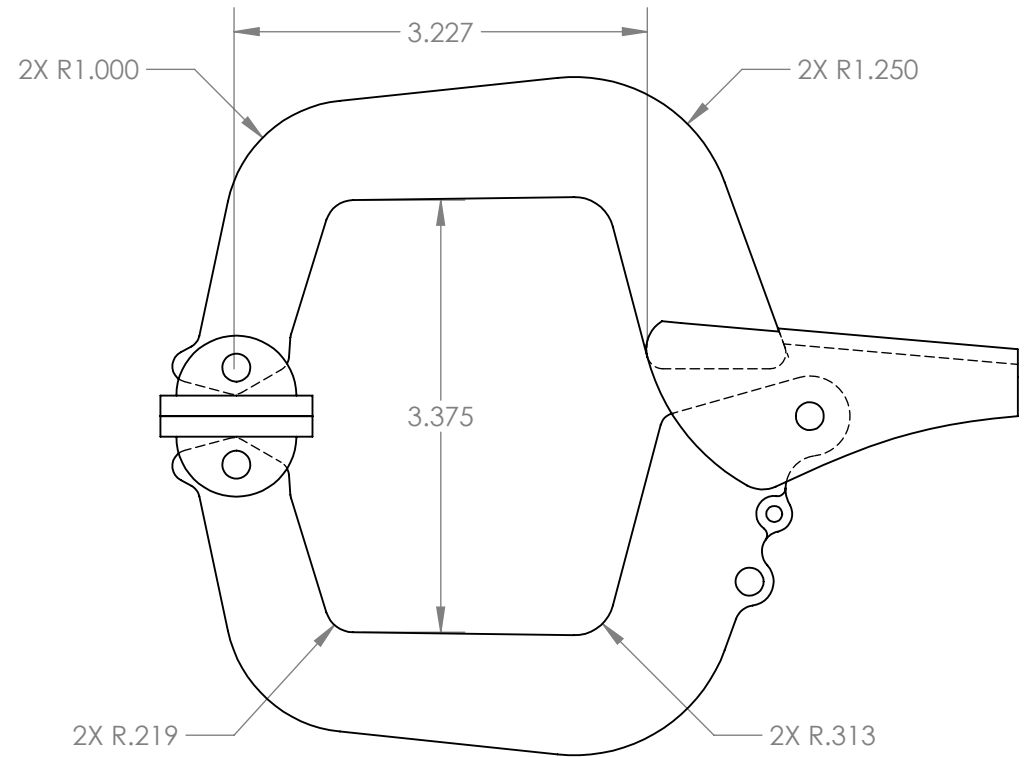
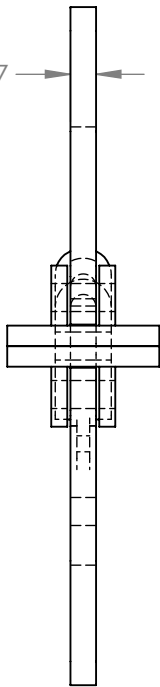



SAME AS PART #10027



SCALE: 1:2

UNLESS OTHERWISE SPECIFIED: DIMENSIONS ARE IN INCHES			TOLERANCES: X.XX= +/- 0.250 X.XXX= +/- 0.125 X.XXXX= - 0.0015		 The Global Source for Stainless Steel Tools
DRAWN	NAME	SIGN	DATE		
APP'VD	A.T.		11.26.18		
MATERIAL: STAINLESS STEEL					TITLE: 10.5" X 3.375" LOCKING CLAMP with SWIVEL PADS
THIS DRAWING IS THE PROPERTY OF STERITOOL, INC. ANY REPRODUCTIONS OR MODIFICATIONS OF THIS DRAWING OR ITS CONTENTS WITHOUT THE CONSENT OF STERITOOL, INC. IS PROHIBITED.					PART NO. 10026
					SCALE: 1:1.5